

Mi-T-M[®] CORPORATION

8650 Enterprise Drive, Peosta IA 52068

563-556-7484 / Fax 563-556-1235

PARTS LIST FOR ***CW-2003-3MGH/3MGV*** (AFTER SERIAL #317278)

Engine Oil Grade:

Honda:

SAE10W-30

Briggs & Stratton Vanguard:

Above 40°F=SAE 30

Below 40°F=SAE10W-30

Engine Oil Capacity:

Honda:

20 oz.

Briggs & Stratton Vanguard:

24 oz.

Pump Oil Grade:

Mi-T-M Pump Oil #AW-4085-0016

Pump Oil Capacity:

14 oz.

Nozzle Size:

3.5

This Parts Listing has been compiled for your benefit. You can be assured your Mi-T-M Cold Water Pressure Washer was constructed and designed with quality and performance in mind using over 25 years experience in the pressure washer business. Each component has been rigorously tested to insure the highest level of acceptance.

The contents of this Parts Listing are based on the latest product information available at the time of publication. Mi-T-M reserves the right to make changes in price, color, materials, equipment, specifications or models at any time without notice.

WARNING

THIS IS A PROFESSIONAL HIGH PRESSURE, COLD WATER PRESSURE WASHER. CAUTION SHOULD BE OBSERVED WHEN USING OR REPAIRING THIS UNIT! READ AND FOLLOW THE SAFETY WARNINGS LISTED BELOW BEFORE ATTEMPTING ANY REPAIRS ON THIS PRESSURE WASHER!

SAFETY WARNINGS

1. NEVER alter or modify the equipment. Be sure any accessory items and system components being used will withstand the pressure developed. Use only genuine Mi-T-M parts for repair of your pressure washer. Failure to do so can cause hazardous operating conditions and will VOID warranty.
2. NEVER make adjustments on machinery while the unit is connected to the power source. Turning over the machinery by hand during adjustment or cleaning might start the machinery, causing serious injury to the operator.
3. Know how to stop and bleed pressures quickly. Be thoroughly familiar with controls.
4. Before servicing the unit, turn unit off, relieve the water pressure and allow the unit to cool down. Do not make repairs while the unit is running. Service in a clean, dry, flat area.
5. After testing the machine, DO NOT leave the pressurized unit unattended. Shut off the unit and release trapped pressure before leaving.

Table of Contents

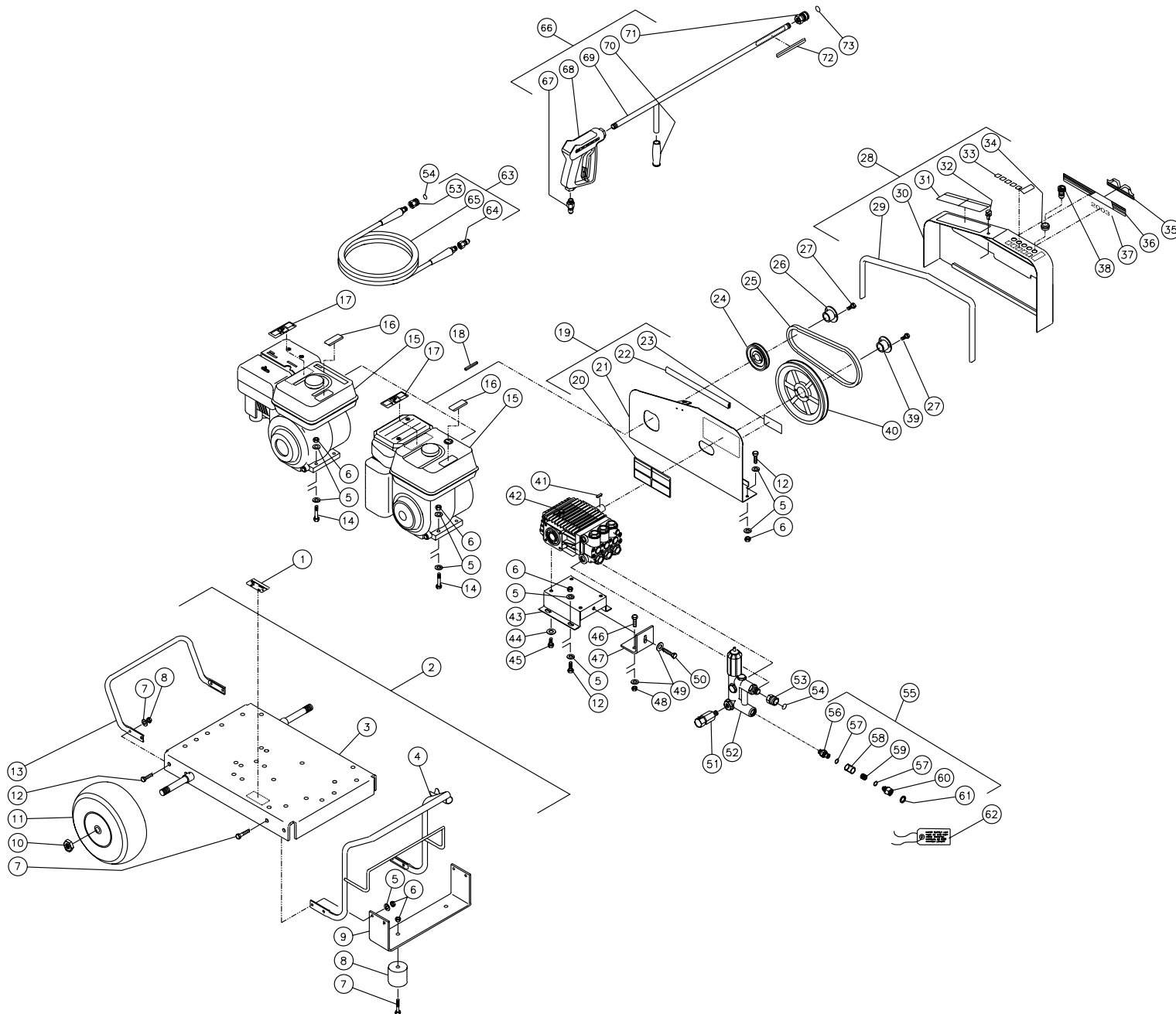
SPECIFICATIONS	3
FRAME ASSEMBLY FOR CW-2003-3MGH/3MGV	4
PUMP ASSEMBLY (3-0130)	6
UNLOADER ASSEMBLY (8-0316)	8
GUN ASSEMBLY (16-0001)	10

SPECIFICATIONS

CW-2003-3MGHV

MODEL NUMBER	CW-2003-3MGH	CW-2003-3MGV
Operating Pressure (PSI/Bar):	2000/137.8	
High Pressure Nozzle:	3.5	
Water Volume (GPM/lpm):	2.8/10.6	
Engine:	Honda	Briggs & Stratton Vanguard
Horsepower	5.5	6.0
Engine Type	4 Stroke, Overhead Valve, Single Cylinder	
Oil Type	SAE10W-30	Above 40 F=SAE 30/Below 40 F=SAE10W-30
Oil Capacity (oz./liter)	20/.6	24/.7
Low Oil Protection	Oil Alert	Oil Guard
Fuel Type	Unleaded Gasoline 86 Octane Minimum	
Fuel Capacity (gal./liter)	.95/3.6	1.05/3.97
Starting	Recoil	
Maximum No Load RPM	3600 (+/- 100) RPM	
Pump:	Direct Driven, Oil Bath, Triplex Piston	
Oil Type	Mi-T-M Pump Oil #AW-4085-0016	
Oil Capacity (oz./liters)	14.0/.41	
Plungers	Ceramic	
Manifold	Forged Brass	
Valves	Stainless Steel	
Unloader	Adjustable	
Heat Dump Valve	Relieves heated water during unloader bypass stage	
Unit Net Weight (lbs/Kg)	133/61	140/64
Unit Shipping Weight (lbs/Kg)	175/80	182/83
Unit Net Dimension (cm)	32Lx19Wx27.5H/81Lx48Wx70H	
Unit Shipping Dimension (cm)	39.5Lx25.5Wx32.5H/100Lx65Wx83H	

FRAME ASSEMBLY FOR CW-2003-3MGH/3MGV

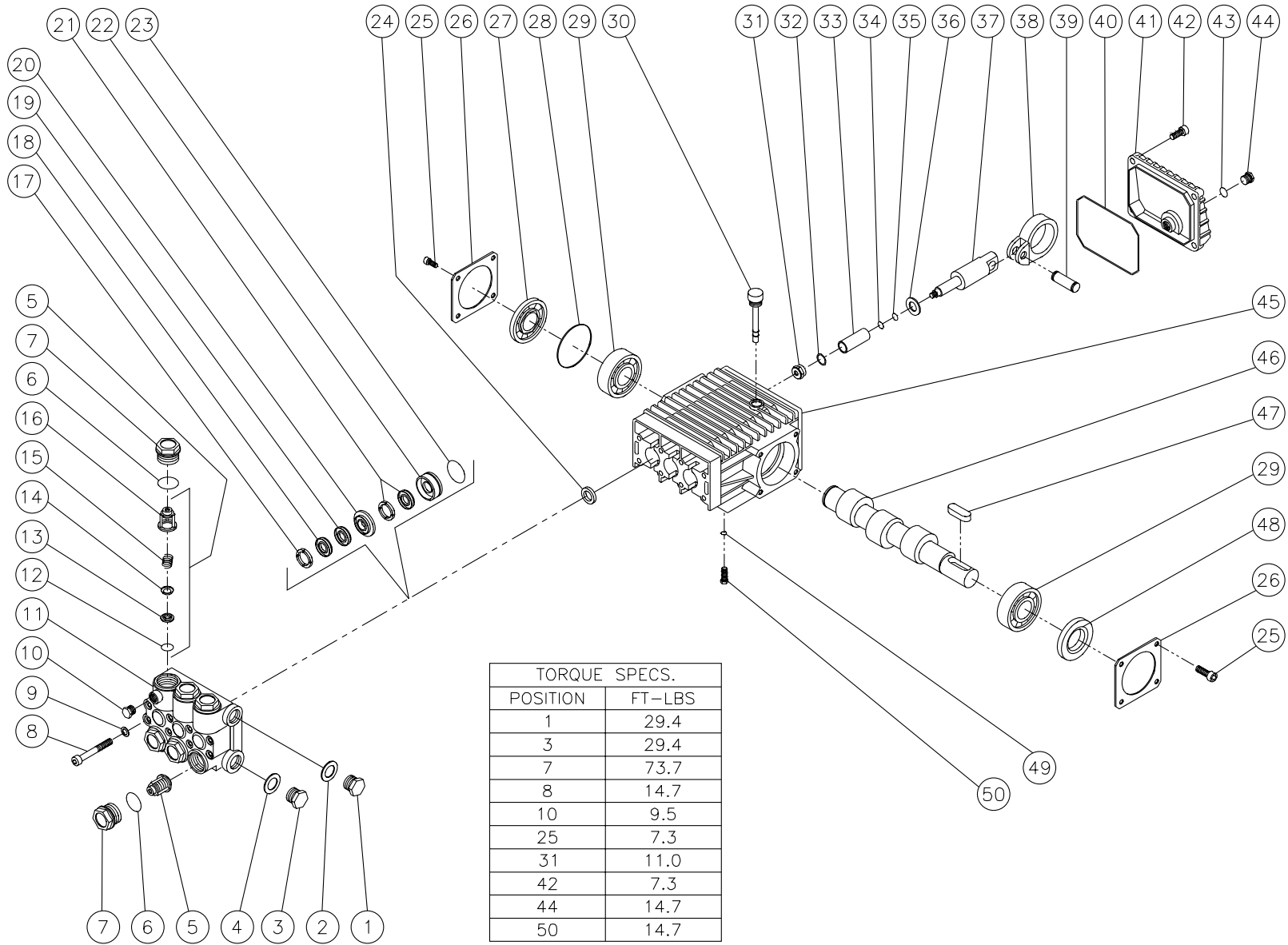


CW-2003-3MGH/V-083101-RD

FRAME ASSEMBLY FOR CW-2003-3MGH/3MGV

REF #	DESCRIPTION	PART #	QTY	REF #	DESCRIPTION	PART #	QTY	REF #	DESCRIPTION	PART #	QTY
1	Decal- Data Plate	N/A	1	26	Bushing	9-0009	1	50	Bolt	27-0576	1
2	Base Plate Assembly (Inc. 5-18)	851-0212	1	27	Bolt w/Bushing	27-0015	4	51	Heat Dump Valve	22-0208	1
3	Base Plate	5-0119A01	1	28	Beltguard Cover Assembly (Inc. 29-34)	851-0313	1	52	Unloader	8-0316	1
4	Handle- Front	7-0100A01	1	29	Edging *(Three Feet Required)	33-0020	1	53	Quick Connect Socket	17-0004	2
5	Washer	28-0003	32	30	Beltguard Cover-Small (See 851-0313)	N/A Sep.	1	54	O-ring	25-0123	2
6	Locknut	30-0157	22	31	Decal- Warning: Muffler Hot (E/S)	34-0813	1	55	Filter Assembly (Inc. 56-61)	19-0206	1
7	Bolt	27-0068	6	32	Fastener	33-0197	1	56	Inlet Filter (See 19-0206)	N/A Sep.	1
8	Isolator	14-0008	2	33	Decal- Die Cut Nozzle	34-0500	1	57	O-ring	25-0517	2
9	Underbracket	13-0002A01	1	34	Grommet	33-0001	5	58	Filter Sight Glass	19-0208	1
10	Jamnut	30-0117	2	35	Decal- Mi-T-M Logo	62-0086	1	59	Strainer Screen	19-0209	1
11	Wheel	14-0017	2	36	Decal- Mi-T-M Stripe	34-0502	1	60	Inlet Filter (See 19-0206)	N/A Sep.	1
12	Bolt	27-0067	12	37	Decal- Die Cut 2003	34-0551	1	61	Garden Hose Gasket	26-0001	1
13	Handle- Rear	7-0103A01	1	38	Spray Nozzle- 0003.5	18-0257	1	62	Tag- Water Supply Inlet	34-0097	1
14	Bolt	27-0070	4	-	Spray Nozzle- 1503.5	18-0258	1	63	Pressure Hose Assembly (Inc. 53, 64, 65)	851-0007	1
15	Engine- 5.5 HP Honda	1-0013	1	-	Spray Nozzle- 2503.5	18-0259	1	64	Quick Connect Plug	17-0006	1
-	Engine- 5.5 HP Vanguard	1-0069	1	-	Spray Nozzle- 4003.5	18-0260	1	65	Pressure Hose	15-0003	1
16	Decal- Caution: Allow to Cool (E/S)	34-0599	1	39	Bushing	9-0017	1	66	Gun/Wand Assembly (Inc. 67-71)	851-0095	1
17	Decal- Warning: Muffler Hot (E/S)	34-0598	1	40	Sheave	10-0066	1	67	Quick Connect Plug	17-0005	1
18	Key	43-0073	1	41	Key w/Pump	43-0028	1	68	Gun	16-0001	1
19	Beltguard Back Assembly (Inc. 20-23)	851-0213	1	42	Pump	3-0130	1	69	Wand w/ Handle	16-0120A01	1
20	Decal- Warning/Caution (E/S)	34-0812	1	43	Pump Bracket	5-0097A01	1	70	Handle Grip	7-0002	1
21	Beltguard Back- Small (See 851-0213)	N/A Sep.	1	44	Washer w/Pump	29-0054	4	71	Quick Connect Socket	17-0001	1
22	Edging *(Two Feet Required)	33-0020	1	45	Bolt w/Pump	27-8042	4	72	Decal- Warning: Risk of Injection (E/S)	34-1253	1
23	Decal- Warning: Beltguard in Place (E/S)	34-0826	1	46	Bolt	27-0118	2	73	O-ring (Replacement Only)	25-0122	-
24	Sheave	10-0072	1	47	Brace Tightener	13-0005A01	1	*Must Order in Foot Lengths			
25	Belt (CW-2003-3MGH)	11-0023	1	48	Locknut	30-0159	2				
-	Belt (CW-2003-3MGV)	11-0020	1	49	Washer	28-0023	3				

PUMP ASSEMBLY (3-0130)

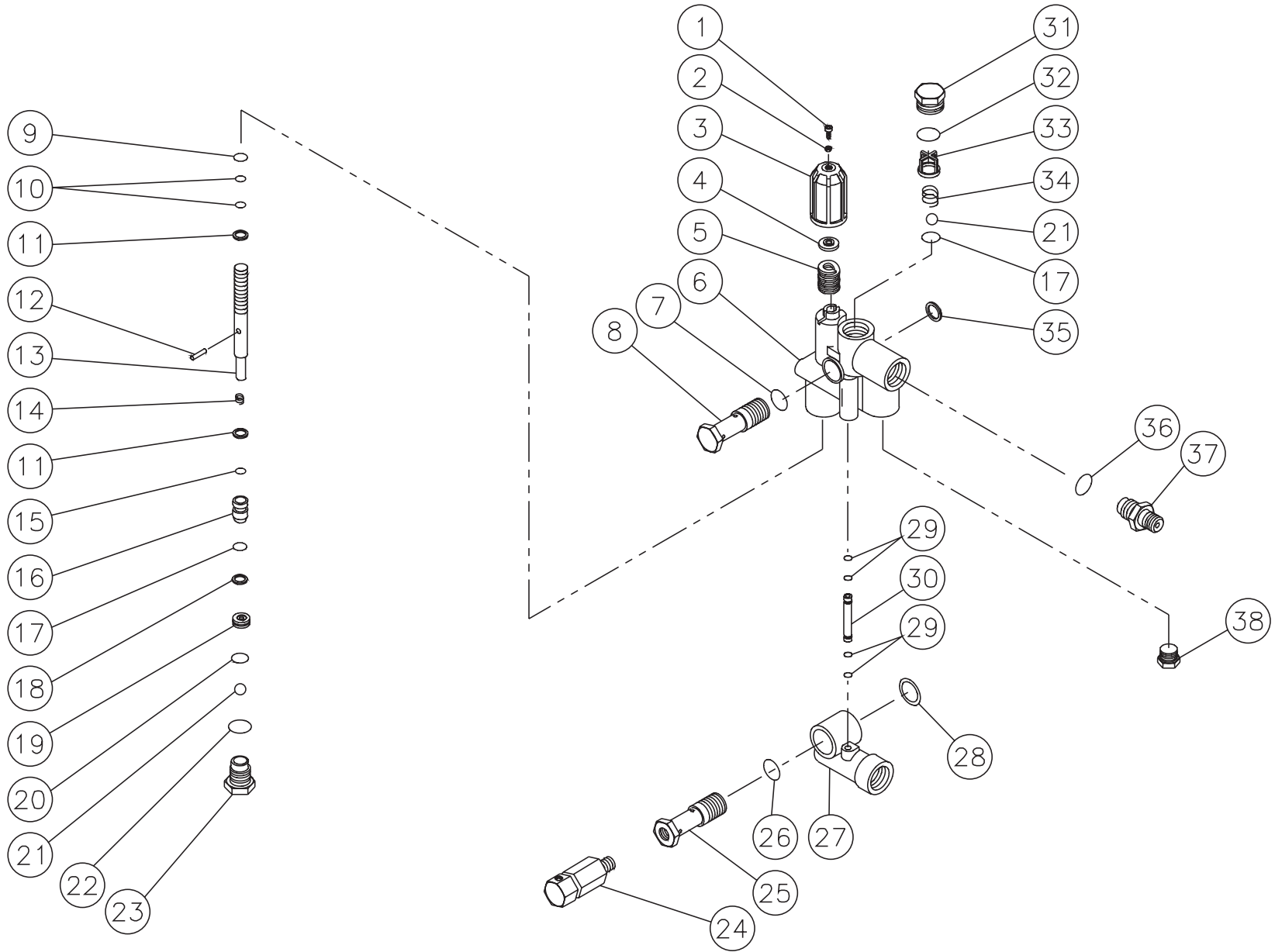


3-0130-042600-RD

PUMP ASSEMBLY (3-0130)

REF. #	DESCRIPTION	PART #	QTY.	REF. #	DESCRIPTION	PART #	QTY.	REF. #	DESCRIPTION	PART #	QTY.
1	Hex Plug	39-0018	1	20	Intermediate Ring	46-0223	3	39	Pin for Connecting Rod	43-0079	3
2	Washer	28-0600	1	21	Low Pressure Seal (See 852-0047)	N/A Sep.	3	40	O-ring	25-0317	1
3	Hex Plug	39-0019	1	22	Packing Retainer	46-0567	3	41	Crankcase cover	46-0571	1
4	Washer	28-0601	1	23	O-ring	25-0048	3	42	Bolt	27-8401	5
5	Valve Assembly (Inc. 12-16) (See 70-0028)	N/A Sep.	6	24	Oil Seal	26-0046	3	43	O-ring	25-0014	1
6	O-ring	25-0012	6	25	Bolt	27-8000	4	44	Hex Plug	39-0017	1
7	Valve Plug	39-0071	6	26	Retainer / Oil Level / Spacer	46-0084	1	45	Crankcase	46-0570	1
8	Bolt	27-8439	8	27	Oil Level Indicator / Spacer	46-0574	1	46	Crankcase Shaft	46-0601	1
9	Lockwasher	29-0154	8	28	O-ring	25-0060	1	47	Key	46-0602	1
10	Hex Plug	39-0032	1	29	Ball Bearing	48-0050	1	48	Oil Seal	46-0604	1
11	Manifold	46-0566	1	30	Oil Dipstick	46-0143	1	49	Lockwasher	29-0054	4
12	O-ring (See 70-0028)	N/A Sep.	6	31	Nut	46-0168	3	50	Bolt	27-8042	4
13	Valve Seat (See 70-0028)	N/A Sep.	6	32	Washer	46-0166	3		Valve Kit (Inc. 6 each of 5, 12-16)	70-0028	
14	Valve Plate (See 70-0028)	N/A Sep.	6	33	Plunger	46-0228	3		V-Packing Kit (Inc. 3 each of 17-19, 21)	852-0047	
15	Valve Spring (See 70-0028)	N/A Sep.	6	34	O-ring	25-0045	3		Head Ring Kit (Inc. 3 each of 17)	70-0018	
16	Valve Cage (See 70-0028)	N/A Sep.	6	35	Back-up Ring	25-0143	3		Packing Kit (Inc. 3 each of 18, 19, 21)	70-0017	
17	Head Ring (See 852-0047)	N/A Sep.	6	36	Flinger Washer	28-1018	3		Intermediate Retainer Kit (Inc. 3 each of 20)	70-0126	
18	V-Packing (See 852-0047)	N/A Sep.	6	37	Piston Guide	46-0573	3		Retainer Kit (Inc. 3 each of 22, 23)	70-0125	
19	Stop Ring Packing (See 852-0047)	N/A Sep.	3	38	Connecting Rod	46-0572	3		Packing Kit (Inc. 17-23)	70-0124	

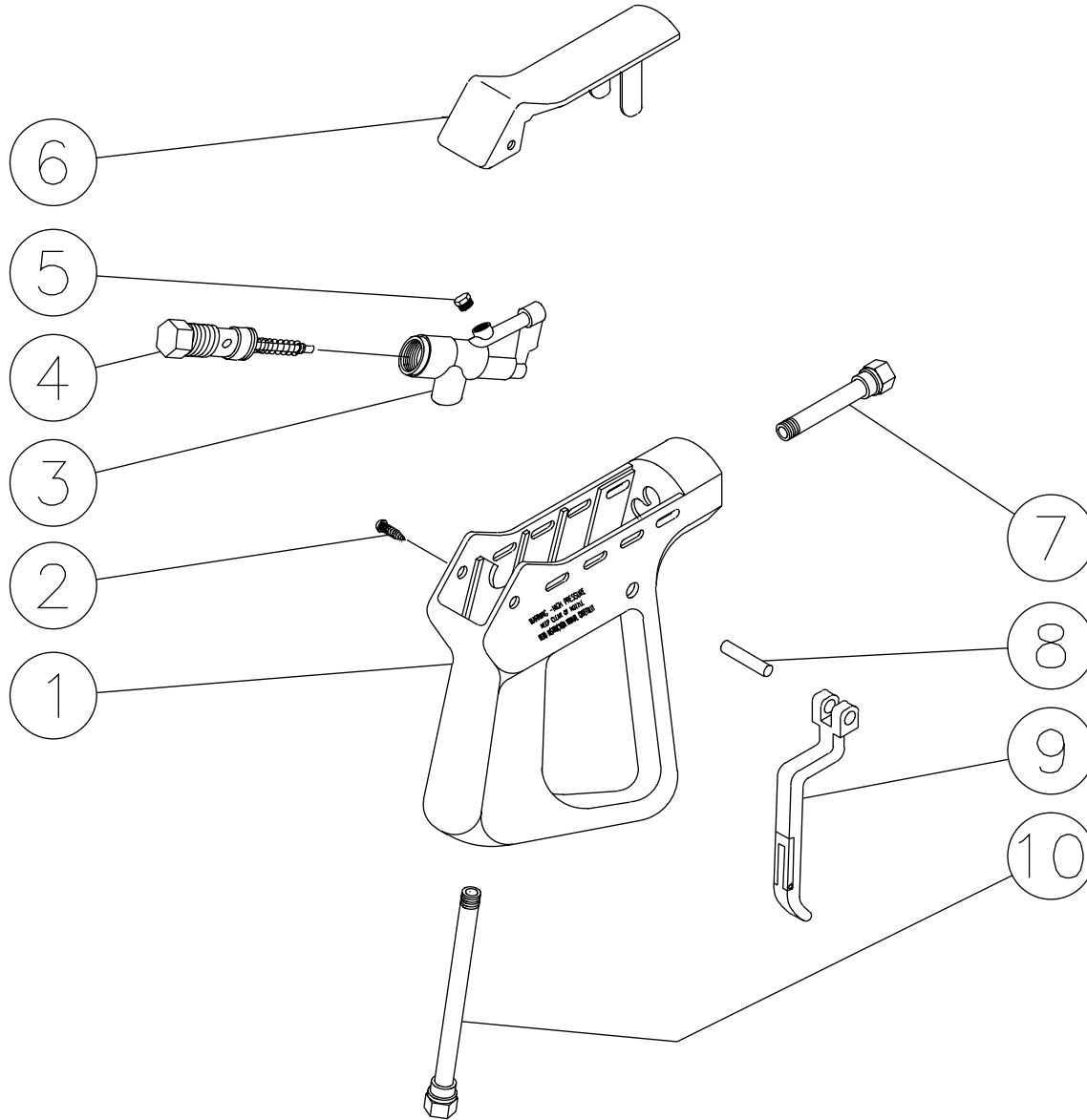
UNLOADER ASSEMBLY (8-0316)



OMGEN195-022795--BAR

UNLOADER ASSEMBLY (8-0316)							
REF. #	DESCRIPTION	PART #	QTY.	REF. #	DESCRIPTION	PART #	QTY.
1	Screw	27-8409	1	21	Ball	8-0201	2
2	Nut	30-3024	1	22	O-ring	25-0160	1
3	Pressure Regulating Knob	7-0050	1	23	Cap	39-0039	1
4	Spring Guide	8-0332	1	24	Thermo Valve	22-0148	1
5	Spring	49-0047	1	25	Fixing Screw	8-0333	1
6	Valve Body	8-0218	1	26	O-ring	25-0053	1
7	O-ring	25-0231	1	27	Inlet Body	46-0242	1
8	Fixing Screw	8-0224	1	28	Washer	28-0601	1
9	Back-up Ring	25-0137	1	29	O-ring	25-0161	4
10	O-ring	25-0138	2	30	By-pass Tube	8-0223	1
11	Washer	28-0209	2	31	Cap	39-0040	1
12	Pin	43-0051	1	32	O-ring	25-0136	1
13	Piston Guide	8-0219	1	33	Valve Guide	8-0225	1
14	Spring	49-0049	1	34	Spring	49-0046	1
15	O-ring	25-0163	1	35	Washer	28-0600	1
16	Drive Piston	8-0220	1	36	O-ring	25-0051	1
17	O-ring	25-0050	2	37	Nipple	8-0130	1
18	Back-up Ring	8-0284	1	38	Cap	39-0042	1
19	Valve Seat	8-0221	1		Unloader Repair Kit (Inc. 5, 7, 9, 10, 14, 15, 17-22, 25, 28, 31-33)	70-0020	1
20	O-ring	25-0159	1				

GUN ASSEMBLY (16-0001)



GUN ASSEMBLY (16-0001)			
REF. #	DESCRIPTION	PART #	QTY.
1	Plastic Housing	16-0008	1
2	Screw	27-3230	2
3	Brass Housing	16-0012	1
4	Gun Repair Kit	70-0055	1
5	Brass Plug	39-0024	1
6	Plastic Cover	16-0009	1
7	Pipe Assembly	16-0013	1
8	Trigger Pin	16-0063	1
9	Trigger/Safety Lock-off	16-0010	1
10	Pipe Assembly- Inlet	16-0016	1
	Complete Gun Assembly	16-0001	1

